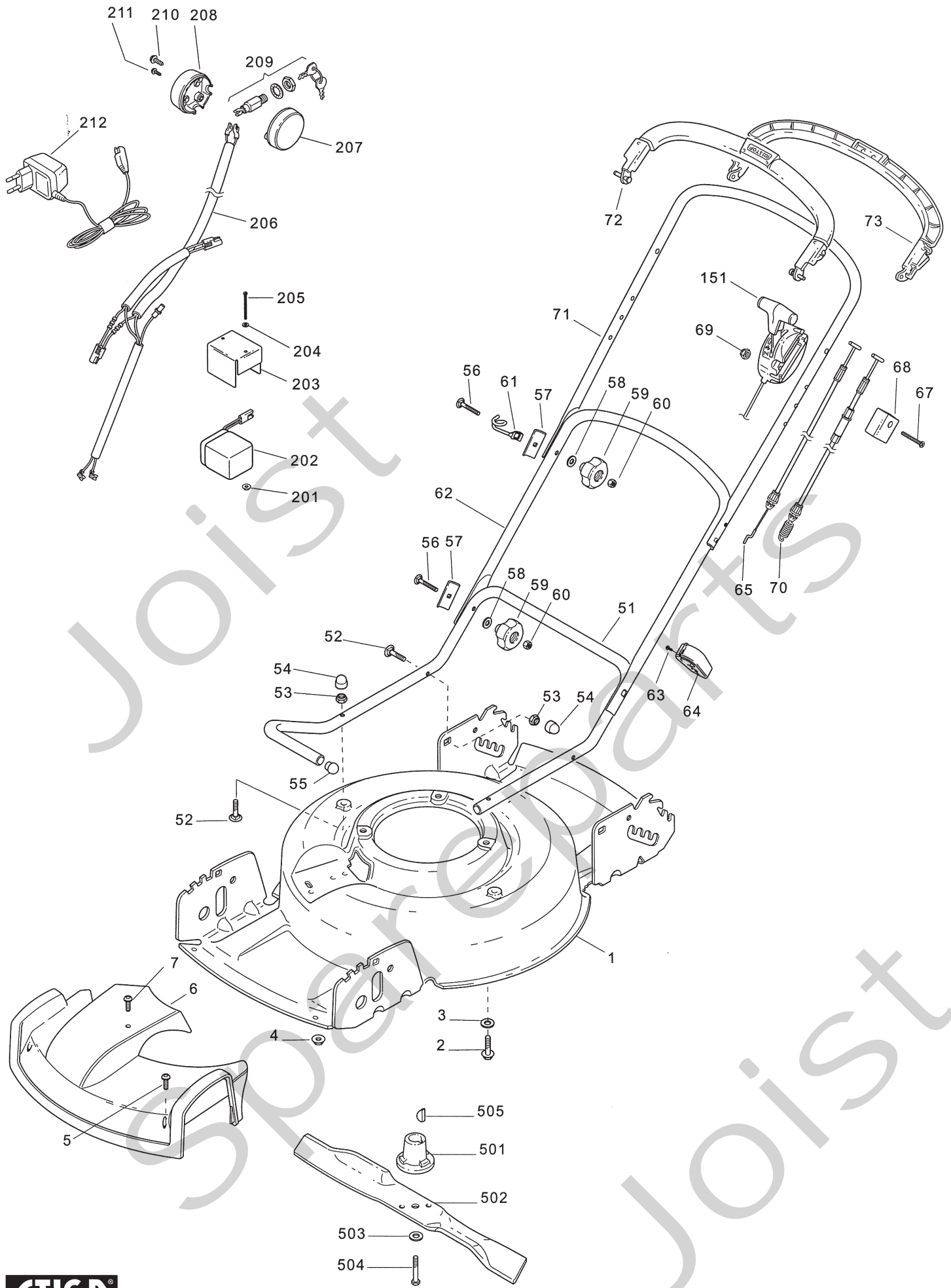


# Genuine Spare Parts

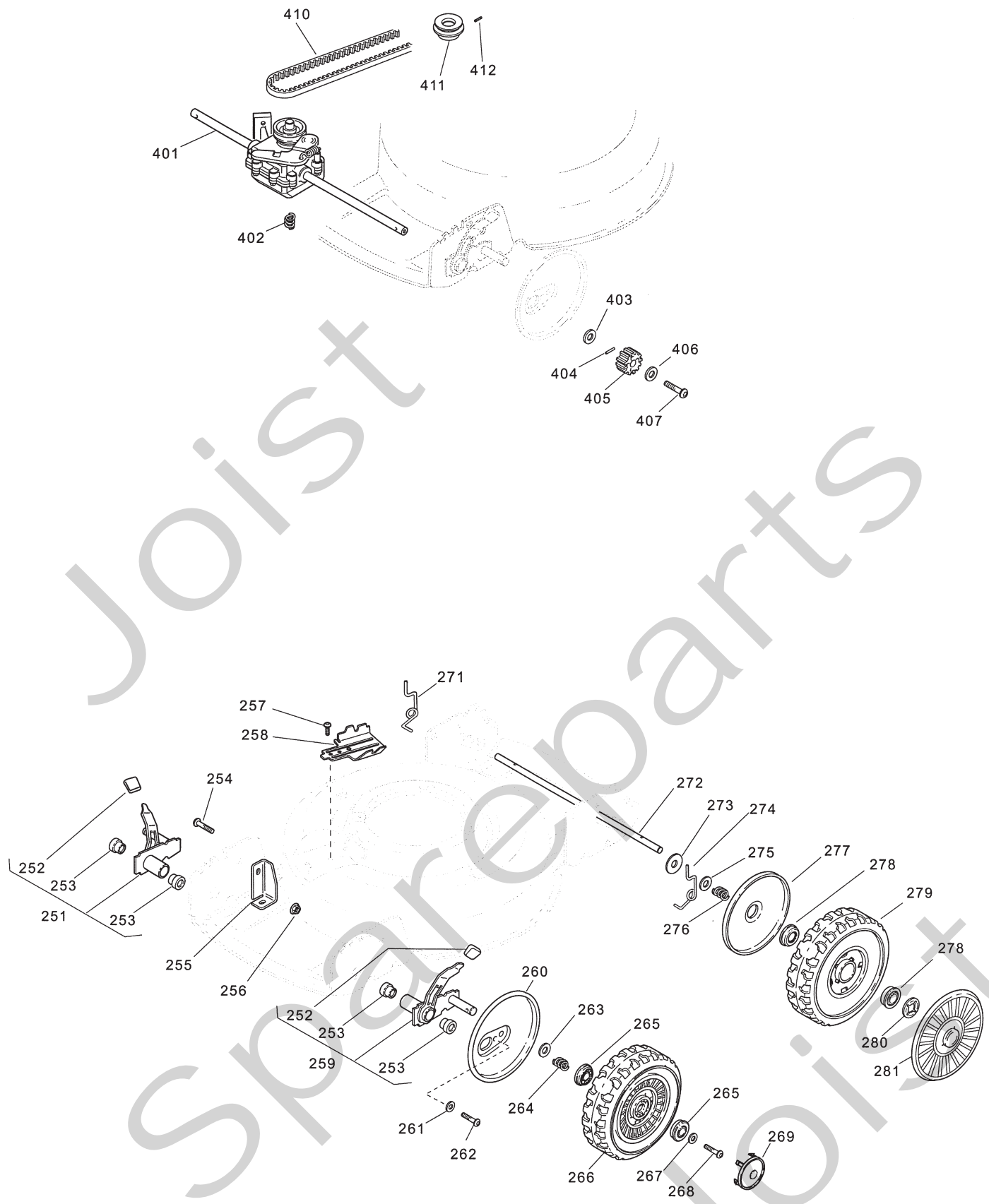
---



Joist  
Spareparts  
Joist



Utgåva Issue		Bildnr Picture No			MULTICLIP 46S SVAN MULTICLIP 46S PLUS MULTICLIP 46SE PLUS CHASSI		MULTICLIP 46S SVAN MULTICLIP 46S PLUS MULTICLIP 46SE PLUS CHASSIS		Sida Page
2005-12		1885							28
Pos. Fig.	Antal/Quantity			Art nr Part No	Benämning	Description	Sats Kit	Anmärkning Notes	
	3603 -19	3681 -59	3698 -59						
X	1	1	1	1111-3610-09	Chassi- gul.....	Chassis- yellow .....			
	2	3	3	9955-3732-12	Skruv.....	Screw.....			
	3	3	3	9699-0029-02	Planbricka.....	Flat washer.....			
	4	2	2	9747-0531-02	Mutter.....	Nut.....			
	5	2	2	1136-1855-01	Skruv.....	Screw.....			
	6	1	1	1111-3542-06	Frontkåpa- grå .....	Front cover- grey .....			
	7	1	1	9943-0530-16	Skruv.....	Screw.....			
	51	1	1	1111-2962-01	Styre- underdel .....	Handlebar- lower part.....			
	52	4	4	9898-0835-12	Skruv.....	Screw.....			
	53	4	4	9747-0831-02	Mutter.....	Lock nut.....			
	54	4	4	9403-0113-00	Mutterhatt.....	Nut cap .....			
	55	2	2	9403-0043-70	Plugg.....	Plug .....			
	56	4	4	9899-3557-12	Skruv.....	Screw.....			
	57	4	4	1111-0178-00	Förstärkning .....	Reinforcement.....			
	58	4	4	9699-0028-02	Planbricka.....	Flat washer.....			
	59	4	4	1111-3023-01	Lås ratt .....	Locking knob .....			
	60	4	4	9795-3531-02	Mutter.....	Nut.....			
	61	1	1	1111-3062-01	Ögla .....	Eyelink .....			
	62	1	1	1111-2961-01	Styre- mellandel.....	Handlebar- interm.part.....			
	63	2	2	9836-9216-12	Skruv.....	Screw.....			
	64	2	2	1111-2018-01	Kabelhållare.....	Cable holder.....			
	65		1	1111-2968-03	Motorbromswire.....	Engine brake cable.....			
	65	1	1	1111-2968-05	Motorbromswire.....	Engine brake cable.....			
	67	1	1	9948-0640-16	Skruv.....	Screw.....			
	67	1	1	9948-0670-16	Skruv.....	Screw.....			
	68	1	1	1111-2969-01	Wirefäste .....	Cable attachment.....			
	69	1	1	9747-0631-02	Låsmutter .....	Lock nut.....			
	70	1	1	1111-3389-02	Kopplingswire.....	Clutch cable.....			
	71	1	1	1111-3243-01	Styre- överdel .....	Handlebar- upper part.....			
	72	1	1	1111-2953-01	Manöverbygel.....	Control handle.....			
	73	1	1	1111-2954-01	Manöverbygel.....	Control handle.....			
	151	1		1111-3351-01	Gasreglage.....	Throttle control.....			
	201		2	9747-0531-02	Mutter.....	Nut.....			
	202		1	1136-1320-01	Batteri.....	Battery .....			
	203		1	1111-3382-01	Hölje .....	Cover .....			
	204		2	9699-0018-02	Bricka .....	Washer.....			
X	205		2	1136-1856-01	Skruv.....	Screw.....			
X	206		1	1136-1815-01	Kablage.....	Harness.....			
	207		1	1111-2021-01	Lock.....	Cover .....			
	208		1	1111-2020-01	Hus .....	Housing .....			
	209		1	9400-0186-00	Tändningslås kpl.....	Starting switch assy.....			
	209A		1	1134-2848-01	Tändningsnyckel.....	Ignition key.....			
	210		2	9838-9540-12	Skruv.....	Screw.....			
	211		1	9836-9216-12	Skruv.....	Screw.....			
	212		1	1136-1321-01	Batteriladdare .....	Charger .....			
	501	1	1	1111-9067-01	Knivfäste.....	Blade holder.....			
	502	1	1	1111-9078-01	Kniv .....	Blade.....			
	503	1	1	9696-0011-01	Bricka .....	Washer.....			
	504	1	1	9987-5264-12	Skruv.....	Screw.....			
	505	1	1	9600-0014-00	Kil.....	Key.....			



Utgåva Issue		Bildnr Picture No		MULTICLIP 46S SVAN MULTICLIP 46S PLUS MULTICLIP 46SE PLUS HJULUPPHÄNGNING		MULTICLIP 46S SVAN MULTICLIP 46S PLUS MULTICLIP 46SE PLUS WHEEL SUSPENSION		Sida Page	
2005-12		1886						30	
Pos. Fig.	Antal/Quantity			Art nr Part No	Benämning	Description	Sats Kit	Anmärkning Notes	
	3603 -19	3681 -59	3698 -59						
251	1	1	1	1111-2910-01	Svängarm- hö .....	Wheel mounting- RH .....		Inkl. pos 252,253	
252	1	1	1	1111-2549-01	• Plastknopp .....	• Plastic knob .....			
253	2	2	2	1111-2909-01	• Glidlager .....	• Bearing .....			
254	4	4	4	9997-0512-16	Skruv .....	Screw .....			
255	2	2	2	1111-3501-01	Stag .....	Support .....			
256	4	4	4	9747-0531-02	Mutter .....	Nut .....			
257	2	2	2	9848-8013-16	Skruv .....	Screw .....			
258	1	1	1	1111-2648-01	Grässkydd .....	Grass shield .....			
259	1	1	1	1111-2911-01	Svängarm- vä .....	Wheel mounting- LH .....		Inkl. pos 252,253	
260	2	2	2	1111-3395-01	Täckplåt .....	Cover plate .....			
261	2	2	2	9699-0060-02	Planbricka .....	Flat washer .....			
262	2	2	2	9943-0610-16	Skruv .....	Screw .....			
263	2	2	2	9699-0037-02	Bricka .....	Washer .....			
264	2	2	2	1111-1138-01	Fjäder .....	Spring .....			
265	2	2	2	1111-3296-01	• Kullager .....	• Ball bearing .....			
266	2	2	2	1111-2665-01	Hjul kpl .....	Wheel assy .....		Inkl. pos 265	
267	2	2	2	9699-0100-02	Bricka .....	Washer .....			
268	2	2	2	9943-0612-16	Skruv .....	Screw .....			
269	2	2	2	1111-3444-01	Navkapsel- silver .....	Hub cap- silver .....			
271	1	1	1	1111-9035-01	Höjdinställning sats .....	Height adjust kit .....		Inkl. pos 271,274,280	
271	1	1	1	1111-1589-02	• Fjäder- hö .....	• Height adj.spring- RH .....			
272	1	1	1	1111-3312-01	Hjulaxel .....	Wheel axle .....			
273	2	2	2	1111-1593-01	Bricka .....	Washer .....			
274	1	1	1	1111-1589-01	• Fjäder- vä .....	• Height adj.spring- LH .....			
275	2	2	2	9699-0037-02	Bricka .....	Washer .....			
276	2	2	2	1111-3060-01	Fjäder .....	Spring .....			
277	2	2	2	1111-3341-01	Hjulsköld .....	Wheel cover .....			
278	4	4	4	9549-0053-00	Kullager .....	Ball bearing .....			
279	2	2	2	1111-3238-01	Hjul .....	Wheel .....			
280	2	2	2	9675-0017-02	• Starlock .....	• Lock washer .....			
281	2	2	2	1111-3612-01	Navkapsel- silver .....	Hub cap- silver .....			
401	1	1	1	1111-3505-01	Transmission kpl .....	Transmission assy .....			
402	1	1	1	1111-3060-01	Fjäder .....	Spring .....			
403	2	2	2	9699-0037-02	Bricka .....	Washer .....			
404	2	2	2	1111-2382-01	Cyl.pinne .....	Pin .....			
405	2	2	2	1111-2635-01	Kuggjul .....	Gear wheel .....			
406	2	2	2	9699-0100-02	Bricka .....	Washer .....			
407	2	2	2	9943-0612-16	Skruv .....	Screw .....			
410	1	1	1	1111-9125-01	Drivrem .....	Drive belt .....			
411	1	1	1	1111-2433-01	Motorremskiva .....	Engine belt pulley .....			
412	1	1	1	9910-0612-16	Stoppskruv .....	Set screw .....			